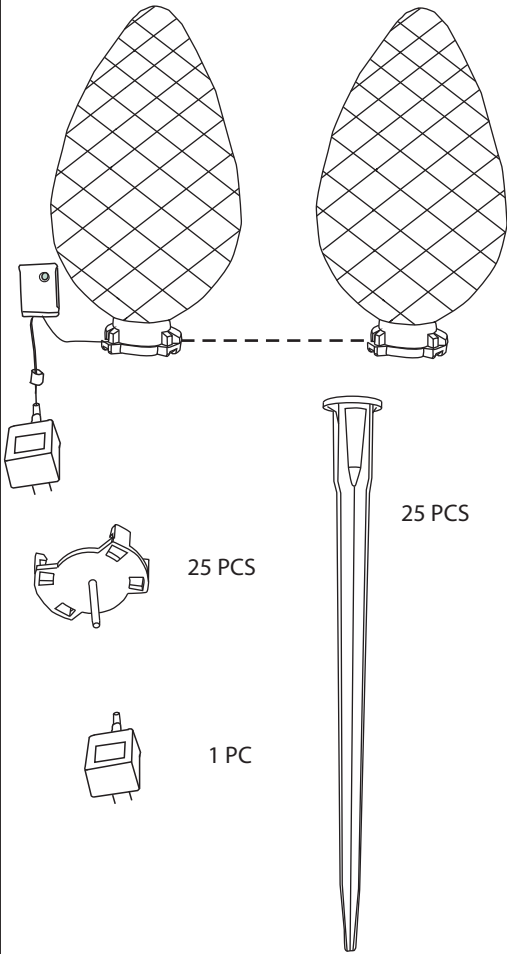




iTwinkle 25 LED Pathway Lights-Installation Instructions

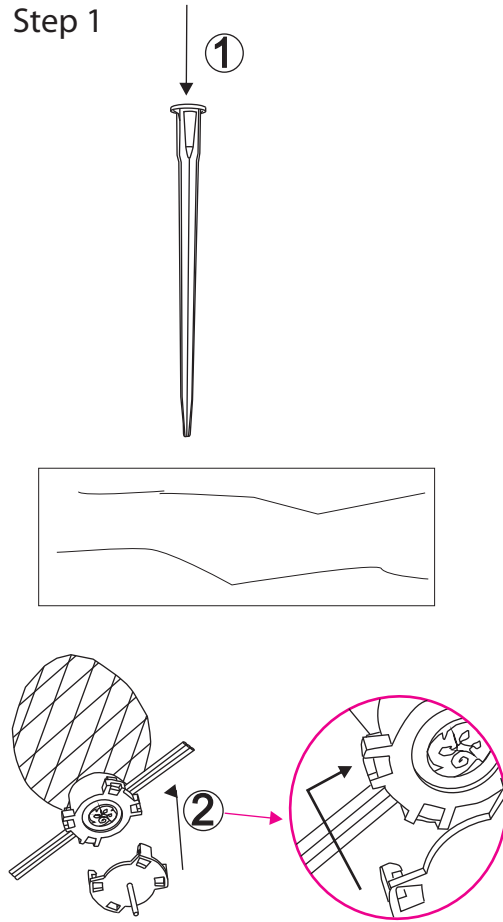
ITEM NO.: 00652

Installation Parts



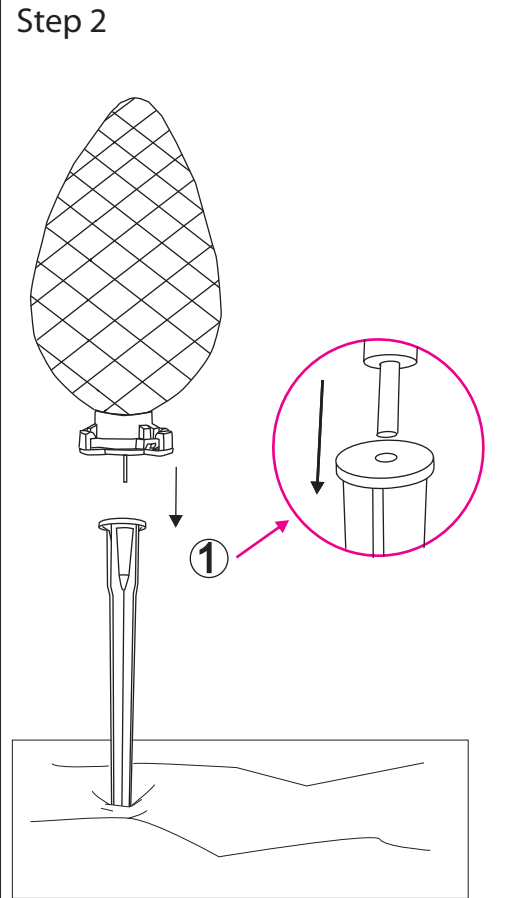
NOTE: A starter hole using a screwdriver may be required on hard ground.

Step 1



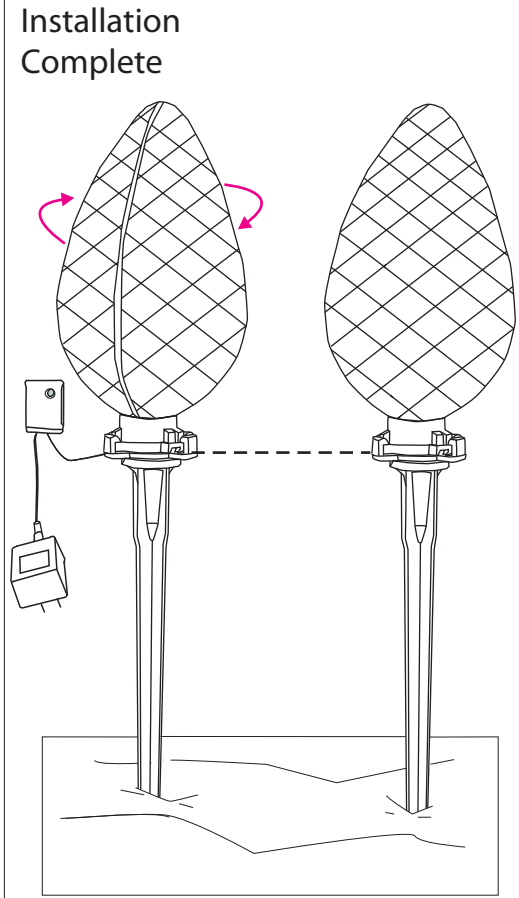
1. Insert the plastic stakes into the ground.
2. Attach 1 mounting base by snapping its four clips onto each lampholder.

Step 2



1. Insert the coupler from the G60 into the hole on the top of the plastic stake
2. Continue installing the mounting bases to the plastic stakes.

Installation Complete



To uninstall, follow instructions in reverse order. Questions, call customer service toll-free at 1-877-398-7337 or Visit us on web at www.GEholidaylighting.com

Printed in China 2014
THIS IS NOT A TOY, FOR DECORATIVE USE ONLY